

ZMTBP68300 Series

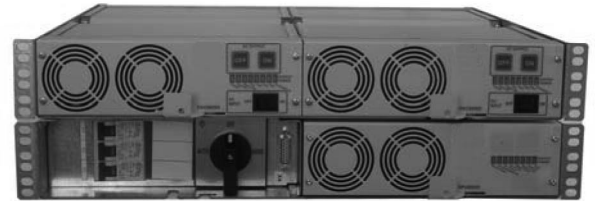
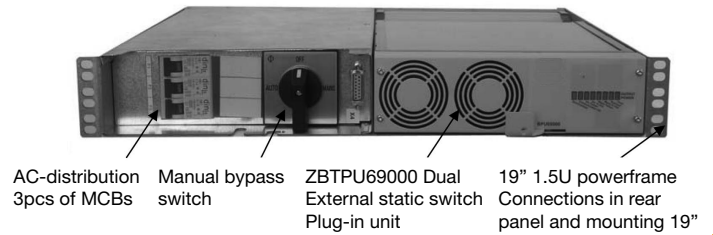
AC-distribution, Static Switch and Manual Bypass for ZDTAC60000 Dual Inverters

Modular Construction

ZMTBP68300 system consists of separate modules, which can be included in the system based on customer's needs. It may include all features: static switch, manual bypass and AC-distribution or only some of these features.

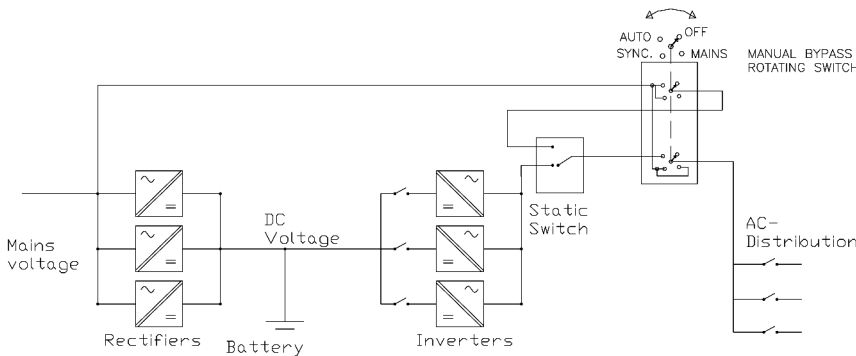
Complete Inverter System

ZMTBP68300 fits ideally to be used with ZDTAC60000 Dual 19" 1.5U inverters. Up to 6pcs of 1500VA inverters max 7.5kVA n+1 can be installed in parallel including external static switch, manual bypass and AC-distribution. ZMTBP68300 and inverters are installed on top of each other in 19" cabinet.



Voltage 100...240VAC
 Power rating 7.5 kVA, max 40A
 4 pole manual bypass rotating switch
 10mm² screw terminals for mains in and load

System level connection circuit:



Manual bypass switch positions:

- OFF
No supply
- MAINS
Mains supply
No mains input for static switch
- SYNC
Mains supply
Mains input connected to static switch
- AUTO
Inverter System supply

MANUAL BYPASS AND AC-DISTRIBUTION TYPE NUMBERS

Type	Description
ZMTBP68300	Manual bypass 7.5kVA, max 40A, 19" 1.5U x 450mm
ZMTBP68360	Manual bypass 7.5kVA, max 40A and AC-distribution unit for 3 pcs of output MCBs, 19" 1.5U x 450mm Select MCBs from table below, any combination is possible

STATIC SWITCH UNITS AND MECHANICAL PARTS

Type	Description
ZBTPU69230FR	External static switch, 7500VA 230VAC, 220mm x 64mm x 409mm module
ZBTPU69310FR	External static switch, 3750VA 115VAC, 220mm x 64mm x 409mm module

MCB ALTERNATIVES FOR ZMTBP68360

Type	Description	Type	Description
Z5T4100200	2A C-curve output MCB	Z5T4101001	10A B-curve output MCB
Z5T4100400	4A C-curve output MCB	Z5T4101601	16A B-curve output MCB
Z5T4100601	6A B-curve output MCB	Z5T4102001	20A B-curve output MCB
Z5T4100600	6A C-curve output MCB	Z5T4102501	25A B-curve output MCB