

Inverter

ZSTPCPDU-1

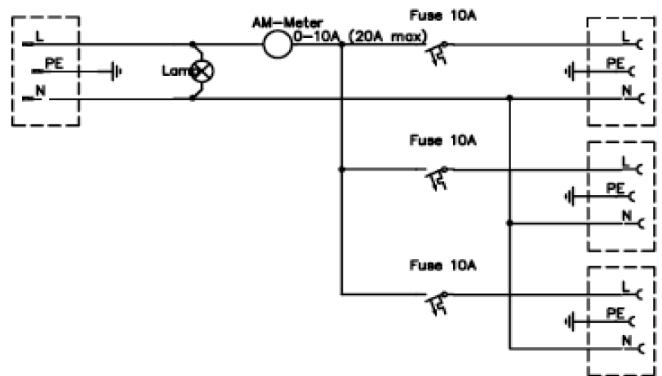
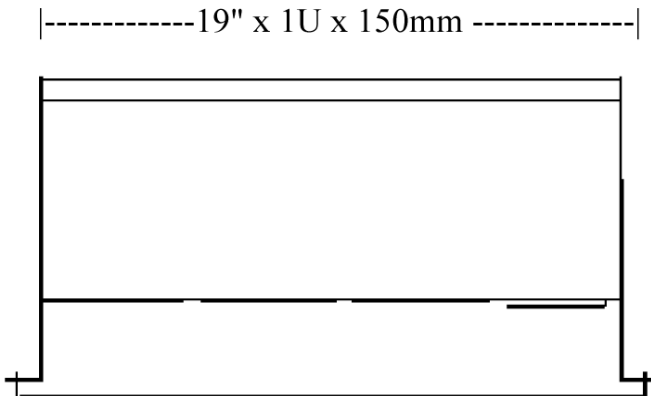
ZITEC320 AC Distribution and Load Monitoring for ZDTAC60000 Inverters

Distributionpanel with ampere meter
 19" 1U rack mounting
 12 pcs of ZITEC320-C13 outlets
 10A output fuse for 4 connectors group
 Input by one ZITEC320-C20 inlet
 Power ON lamp



ZSTPCPDU-1 230VAC distribution

Complete 19" distribution Panel with build in amperemeter for easy monitoring of the total load and to prevent overload. Gives an easy and well arranged connection of up to 12 units such as servers, modems, routers etc., that are powered from the same inverter, mains or UPS supply.



TECHNICAL SPECIFICATION	
Input voltage:	230VAC (100-250V), max 16Amp.
Input connection:	ZITEC320-C20 placed on the rear panel
Output voltage:	230VAC (100-250V)
Output connections:	12 pcs of ZITEC-320-C13 with 10A fuse per 4 outlets group (max. 16A total load)
Frequency:	50/60 Hz
Indications	Power ON lamp, Ampere meter for load monitoring
Mechanics	IP20 metal cabinet
Operation temp.:	0 – 45 degrees Celcius
Dimensions:	19" x 1U x 150mm (H x W x D)
Weight:	App. 2,1 kg.

ORDERING TYPES	
Type	Description
ZSTPCPDU-1	19" 1U ZITEC320 distribution panel with ampere meter
To be defined	ZITEC320-C19 output cable between ZDTAC600000 inverters and ZSTPCPDU-1, length 1m